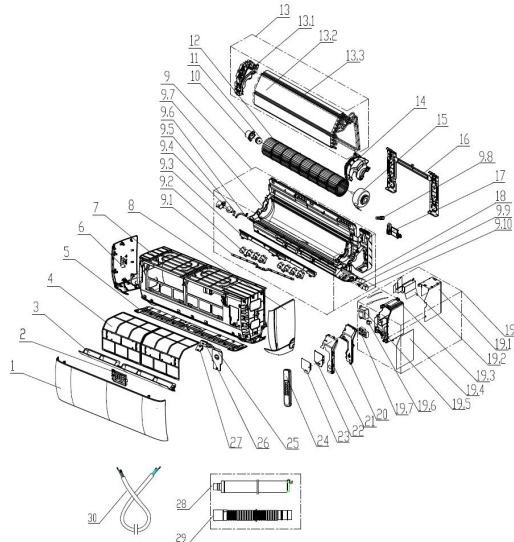


AIR-O-MATIC RAC Exploded View

Factory Model: AOME12DPE17
Product Code: AOM11103210000322PE
Power Supply: 230V



| No. | Part Name | Quantity | BOM Code |
|------|----------------------------------|----------|---------------------|
| 1 | Panel | 1 | AOM11320003002875PE |
| 2 | Display Board | 1 | AOM11222014000608PE |
| 3 | Air Louver (Horizontal) | 1 | AOM11320005000359PE |
| 4 | Filter | 2 | AOM11220508000146PE |
| 5 | Decorative Board of Medium Frame | 1 | AOM11320088000038PE |
| 6 | Left Cover | 1 | AOM11320078000159PE |
| 7 | Medium Frame | 1 | AOM11320002000292PE |
| 8 | Right Cover | 1 | AOM11320078000160PE |
| 9 | Chassis Assembly | 1 | AOM11220500000285PE |
| 9.1 | Swing Connecting Rod | 1 | AOM11320085000105PE |
| 9.2 | Air Blade (Vertical) | 2 | AOM11320017000154PE |
| 9.3 | Volute | 1 | AOM11320135000025PE |
| 9.7 | Chassis | 1 | AOM11320001000268PE |
| 9.8 | Stoppie | 1 | AOM11333003000009PE |
| 9.9 | Step Motor Shaft Sleeve | 1 | AOM11320079000016PE |
| 9.10 | Step Motor | 1 | AOM11230002000086PE |
| 10 | Bearing Assembly | 1 | AOM11220551000003PE |
| 11 | Bearing Fixed Chassis | 1 | AOM11320062000028PE |
| 12 | Cross Flow Fan | 1 | AOM11220513000065PE |
| 13 | Evaporator Assembly | 1 | AOM11224003000707PE |
| 13.1 | Evaporator Left Side Carriage | 1 | AOM11320015000139PE |
| 13.2 | Evaporator Assembly A | 1 | AOM11224009000315PE |
| 13.3 | Evaporator Assembly B | 1 | AOM11224009000314PE |
| 14 | Motor Cover | 1 | AOM11320052000044PE |
| 15 | IDU Fan Motor | 1 | AOM11230003000141PE |
| 16 | Mounting Plate Assembly | 1 | AOM11221500000034PE |
| 17 | Pipe Clamp | 1 | AOM11320084000013PE |
| 19 | Main Controller | 1 | AOM11222003002897PE |
| 19.1 | Controller Box Sheet-Metal A | 1 | AOM11321020000033PE |
| 19.2 | Controller Box Sheet-Metal B | 1 | AOM11321020000047PE |
| 19.3 | Control Box | 1 | AOM11320057000082PE |
| 19.4 | Main Control Board | 1 | AOM11222009003554PE |
| 19.5 | Transformer | 1 | AOM11330024000007PE |
| 19.7 | Terminal Board | 1 | AOM11330037000184PE |
| 20 | Control Box Cover | 1 | AOM11320058000067PE |
| 21 | Controller Box Metal Plate | 1 | AOM11321020000035PE |
| 22 | Guard of Electric Control Box | 1 | AOM11320111000005PE |
| 23 | Cover of Electric Control Box | 1 | AOM11321020000036PE |
| 24 | Remote Controller | 1 | AOM11222001000112PE |
| 25 | Medium Frame Wiring Cover | 1 | AOM11320076000103PE |
| 27 | Screw Cover | 1 | AOM11320096000101PE |
| 28 | Water Flow Tube Assembly | 1 | AOM11220506000002PE |
| 29 | Water Hosepipe | 1 | AOM11320020000008PE |
| 30 | Power Cable | 1 | AOM11330021000980PE |

Note: The information presented is for the use of Professional HVAC Technicians. Subject to change without notice. Prices are subject to Shipping & Handling charges.