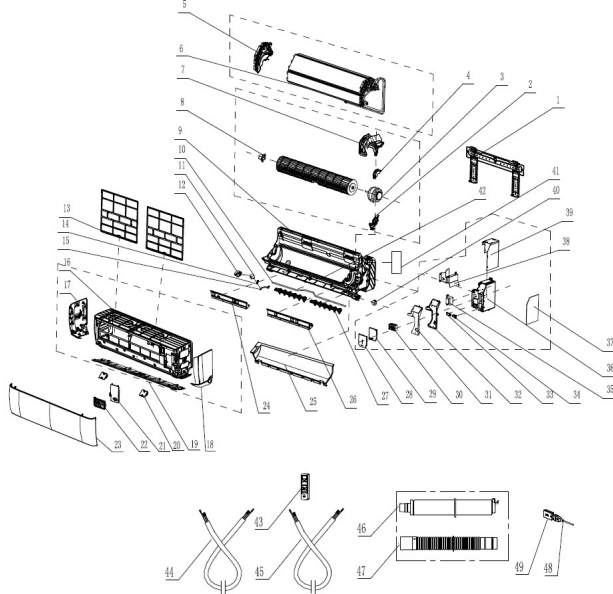


## AIR-O-MATIC RAC Exploded View

**Factory Model:** AOME18DPE17  
**Product Code:** AOM11103210000300PE  
**Power Supply:** 230V



No.	Part Name	Quantity	BOM Code
1	Mounting Plate Assembly	1	AOM11321003000028PE
3	Indoor Fan Motor	1	AOM11230003000144PE
5	Evaporator Left Side Carriage	1	AOM11320015000138PE
6	Evaporator Assembly	1	AOM11224003000730PE
7	Motor Cover	1	AOM11320052000043PE
8	Bearing Assembly	1	AOM11220551000003PE
9	Chassis	1	AOM11320001000267PE
10	Airflow Vanes Connecting Pole	1	AOM11320085000104PE
13	Filter	2	AOM11220508000147PE
16	Medium Frame	1	AOM11320002000291PE
17	Left Cover	1	AOM11320078000157PE
18	Right Cover	1	AOM11320078000158PE
19	Decorative Board of Medium Frame	1	AOM11320088000037PE
20	Screw Cover	2	AOM11320096000101PE
21	Medium Frame Wiring Cover	1	AOM11320076000105PE
22	Display Board Assembly	1	AOM11222014000608PE
23	Panel	1	AOM113200030002874PE
24	Chassis Foam B	1	AOM11328030000012PE
25	Chassis Foam A	1	AOM11328030000013PE
26	Chassis Foam D	1	AOM11328030000014PE
27	Left-Right Swing Blade	2	AOM11320017000153PE
29	Cover of Electric Controller Box	1	AOM11320058000068PE
30	Terminal Board	1	AOM11330037000184PE
31	Cover of Electric Controller Box Sheet-Metal	1	AOM11321020000038PE
33	Wire Clamp	1	AOM11320010000046PE
36	Controller Box	1	AOM11320057000083PE
37	Main PCB	1	AOM112220090003605PE
40	Step Motor	1	AOM11230002000152PE
41	Pipe Clamp	1	AOM11320084000014PE
42	Volute	1	AOM11320135000024PE
43	Remote Controller	1	AOM11222001000112PE
46	Water Flow Tube Assembly	1	AOM11220506000009PE
47	Water Hosepipe	1	AOM11320020000008PE
50	Power Cable	1	AOM11220513000066PE

**Note:** The information presented is for the use of Professional HVAC Technicians. Subject to change without notice. Prices are subject to Shipping & Handling charges.