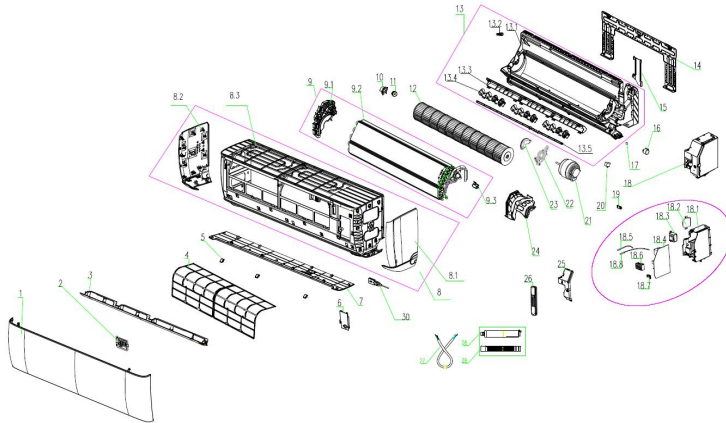


AIR-O-MATIC RAC Exploded View

Factory Model: AOME24DPE17
Product Code: AOM11103210000292PE
Power Supply: 230V



No.	Part Name	Quantity	BOM Code
1	Panel	1	AOM11320003002880PE
2	Display Board	1	AOM11222014000608PE
3	Air Louver (Horizontal)	1	AOM11320005000360PE
4	Filter	2	AOM11220508000145PE
5	Screw Cover	3	AOM11320096000102PE
6	Medium Frame Wiring Cover	1	AOM11320076000105PE
7	Decorative Board of Medium Frame	1	AOM11320088000039PE
8	Medium Frame Assembly	1	AOM11220501000778PE
8.1	Left Cover	1	AOM11320078000161PE
8.2	Medium Frame	1	AOM11320002000293PE
8.3	Right Cover	1	AOM11320078000162PE
9	Evaporator Assembly	1	AOM11224003000720PE
9.1	Evaporator Left Side Carriage	1	AOM11320015000136PE
9.2	Evaporator Assembly	1	AOM11224009000278PE
9.2	Evaporator Assembly	1	AOM11224009000325PE
10	Bearing Fixed Chassis	1	AOM11320062000026PE
11	Cearing Assembly	1	AOM11220551000003PE
12	Cross Flow Fan	1	AOM11220513000059PE
13	Chassis Assembly	1	AOM11220500000289PE
13.2	Stoppie	1	AOM11333003000009PE
13.3	Air Louver	1	AOM11320135000026PE
13.4	Left-Right Swing Blade	3	AOM11320017000155PE
13.5	Airflow Vanes Connecting Pole	1	AOM11320085000106PE
14	Mounting Plate Assembly	1	AOM1122150000029PE
15	Pipe Clamp	1	AOM11320084000014PE
16	Air Louver Step Motor	1	AOM11230002000152PE
17	Step Motor Shaft Sleeve	1	AOM11320079000016PE
18	Main Controller	1	AOM11222003002917PE
18.1	Control Box	1	AOM11320057000066PE
18.4	Main Control Board	1	AOM11222009003567PE
18.5	Temperature Sensor	1	AOM11329013000103PE
18.6	Terminal Board	1	AOM11330037000184PE
19	Power Wire Cable Clamp	1	AOM11320010000046PE
21	IDU Fan Motor	1	AOM11230003000137PE
24	Motor Cover	1	AOM11320052000035PE
25	Control Box Cover	1	AOM11320058000055PE
26	Remote Controller	1	AOM11222001000112PE
28	Water Flow Tube Assembly	1	AOM11220506000009PE
29	Water Hosepipe	1	AOM11320020000008PE

Note: The information presented is for the use of Professional HVAC Technicians. Subject to change without notice. Prices are subject to Shipping & Handling charges.