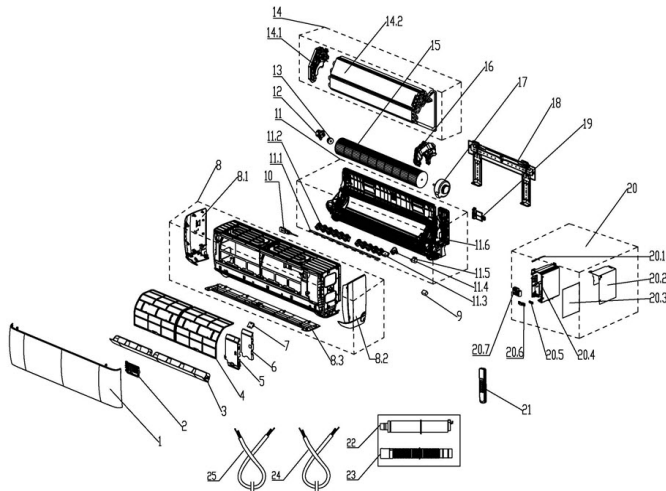


AIR-O-MATIC Exploded View

Factory Model: AOME12DJA20
Product Code: AOM11103210000443JA
Power Supply: 230V



No.	Part Name	Quantity	BOM Code
1	Panel	1	AOM11320003002889JA
2	Display Board	1	AOM11222014000608JA
3	Air Louver (Horizontal)	1	AOM11320005000357JA
4	Filter	2	AOM11220508000150JA
5	Medium Frame Wiring Cover	1	AOM11320076000104JA
6	Medium Frame Wiring Cover Fireboard	1	AOM11321086000001JA
7	Screw Cover	1	AOM11320096000101JA
8	Medium Frame Assembly	1	AOM11220501000776JA
8.1	Left Cover	1	AOM11320078000155JA
8.2	Right Cover	1	AOM11320078000156JA
8.3	Decorative Board of Medium Frame	1	AOM11320088000036JA
11	Chassis Assembly	1	AOM11220500000288JA
11.1	Swing Connecting Rod	1	AOM11320085000107JA
11.2	Left Air Blade	1	AOM11320017000159JA
11.3	Right Air Blade	1	AOM11320017000160JA
11.4	Main Air Blade	1	AOM11320017000157JA
11.5	Air Louver Step Motor	1	AOM11230002000058JA
11.6	Chassis	1	AOM11320001000266JA
12	Bearing Fixed Chassis	1	AOM11320062000028JA
13	Bearing Assembly	1	AOM11220551000003JA
14	Evaporator Assembly	1	AOM11224003000786JA
14.1	Evaporator Left Side Carriage	1	AOM11320015000143JA
14.2	Evaporator Assembly	1	AOM11224009000329JA
14.2	Evaporator Assembly	1	AOM11224009000328JA
15	Cross Flow Fan	1	AOM11220513000068JA
16	Motor Cover	1	AOM11320052000047JA
17	IDU Fan Motor	1	AOM11230003000141JA
18	Mounting Plate Assembly	1	AOM11321003000028JA
19	Pipe Clamp	1	AOM11320084000013JA
20	Main Controller	1	AOM11222003003315JA
20.1	Temperature Sensor	1	AOM11329013000103JA
20.2	Control Box Cover	1	AOM11321101000001JA
20.3	Main Control Board	1	AOM11222009003619JA
20.4	Control Box	1	AOM11320057000109JA
20.7	Terminal Board	1	AOM11330037000184JA
21	Remote Controller	1	AOM11222001000112JA
22	Water Flow Tube Assembly	1	AOM11220506000009JA
23	Water Hosepipe	1	AOM11320020000008JA
25	Power Cable	1	AOM11330021000980JA

Note: The information presented is for the use of Professional HVAC Technicians. Subject to change without notice. Prices are subject to Shipping & Handling charges.